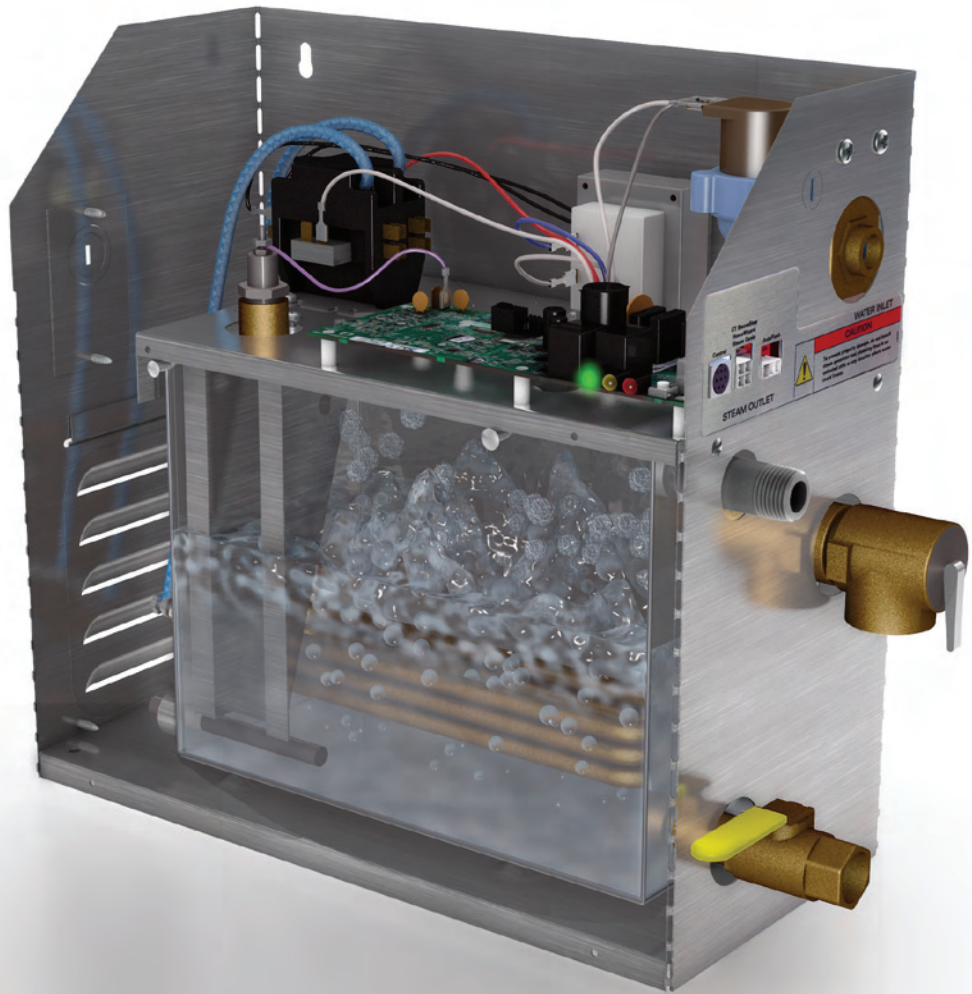


Parts
Price Book
2019



Residential and Commercial
Steambaths and Towel Warmers

mr.steam[®]

Feel Good Inc.[®]

IMPORTANT! Read this important safety information before using this Price Book.

The parts price book is a catalog of replacement parts available for MrSteam residential steam generators, commercial steam boilers and towel warmers. It is not a complete catalog. Please contact MrSteam Technical or Customer Service if you do not find the part you require.

MrSteam products may contain live electrical or plumbing components. Any diagnostics, service or repair of any MrSteam electrical product must be accomplished by a qualified and licensed electrician. Any diagnostics, service or repair on any MrSteam plumbing components must be accomplished by a qualified and licensed plumber.

This parts price book contains diagrams, information and descriptions for identifying parts and prices. No diagrams, information or descriptions are intended for the installation, maintenance, diagnosis, service or repair of any MrSteam product. All installation, operation and maintenance must be performed by a qualified and licensed electrician or plumber when using the appropriate installation, operation and maintenance manuals. These manuals are supplied with the product.

Additional or replacement manuals are available at no charge from MrSteam or can be down loaded from the MrSteam web site www.mrsteam.com. Please contact MrSteam Technical or Customer Service Representatives with any questions or assistance.

All drawings are for illustrative purposes only. Some components may be omitted or altered for clarity. All installations, services, diagnostics and repairs are to be performed by qualified and licensed electricians and plumbers only and in accordance with the appropriate Installation, Operation & Maintenance Manual. Installations, services, diagnostics and repairs by unqualified persons or failure to use MrSteam parts may result in property damage, serious personal injury, or death. Product prices and specifications are subject to change without notice.

Connect with Us

We'd love to hear from you. Let us keep you up to date on all things steam, and of course, make sure you're feeling good.

Web: Visit mrsteam.com for additional information including product specifications, locating a dealer, sizing calculator technical downloads and other resources.

Call: Monday - Friday: 8 a.m. to 7 p.m. EST
East Coast 1.800.767.Steam (767-8326) West Coast 1.800.727.Steam (727-8326)
Worldwide 1.718.937.4500

Email: hello@mrsteam.com

Fax 24/7: East Coast 718.472.3256 West Coast 310.216.2944



MrSteam® products have one or more of the following recognized approvals:

Built to ASME B & PV CODE



City of Los Angeles Approved



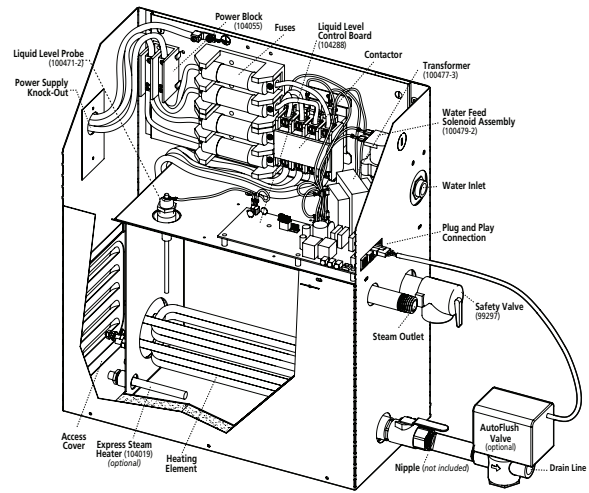
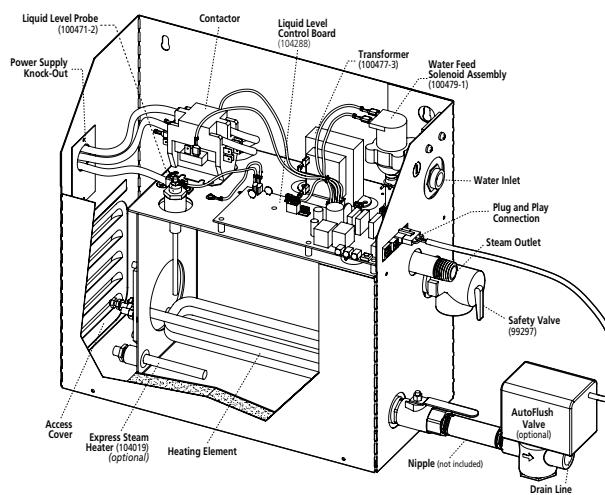
© 2019 Sussman-Automatic Corporation. Mr. Steam and des., Mr Steam, AirTempo, A Lifetime of Pleasure, AromaFlo, AutoFlush, AudioWizard, AutoSteam, Broadway Collection, Butler Package, ChromaSound Spa Package, ChromaSteam, Clean Steam...Every Time, Club Therapy, Day Spa, Digital 1, Express Steam, eTempo, eTempo/Plus, Etempo/Start, Feel Good Inc., Fifth Avenue Collection, From Bathroom to Spa, HomeWizard, iButler, iDream Package, iGenie, iSpa Package, iSteam, iTempo, iTempo/Plus, Linear, Linear Steamhead, Making Wellness a Way of Life, Metro Collection, Mrsauna, MusicTherapy, MySteam, Spa Package, Steam on Demand, Steam@Home, SmartSizing, Steam in a Box, SteamStart, SteamStop, SteamTherapy, Sussman, Tempo, Tala, The Intelligent Steam Bath, Virtual Spa System, and Warmatowel are registered trademarks of Sussman-Automatic Corporation.

*Cover: Artistic rendering for illustrative purposes only. Images may be altered for presentation purposes.
Contact Mr Steam for complete product information.*

“E” Series: Produced from June 2008 to Present, SN 90000 and higher

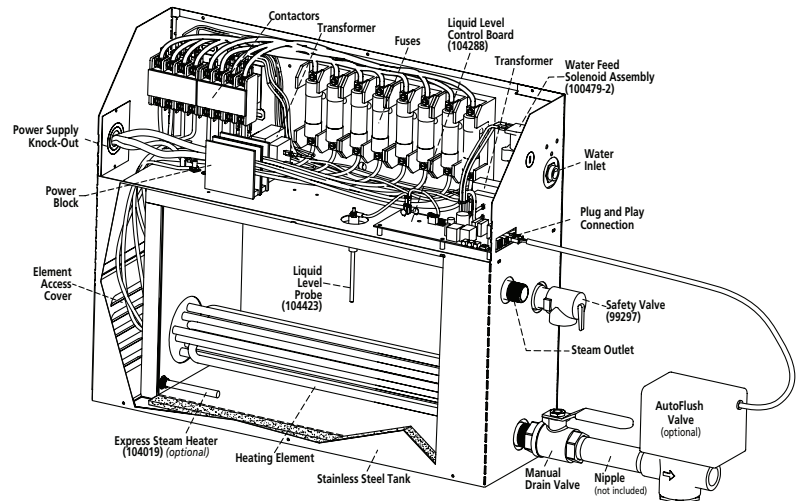
Models MS90E - MS400E Shown with cover removed and with optional AutoFlush® and Express Steam® features.

Models Super1E- Super 6E Shown with cover removed and with optional AutoFlush and Express Steam features.



Models MX4E-MX6E

shown with cover removed and with optional AutoFlush and Express Steam features.



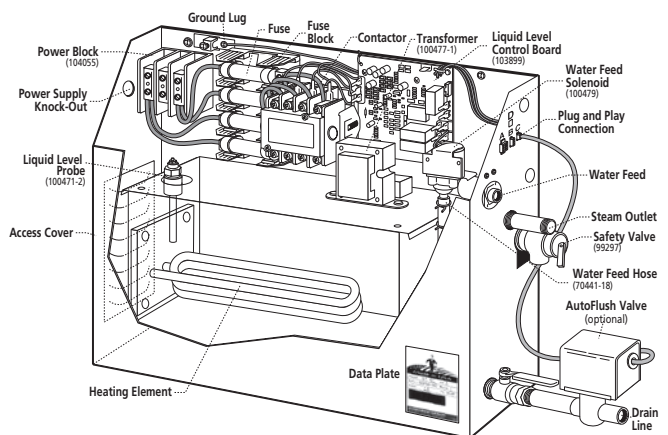
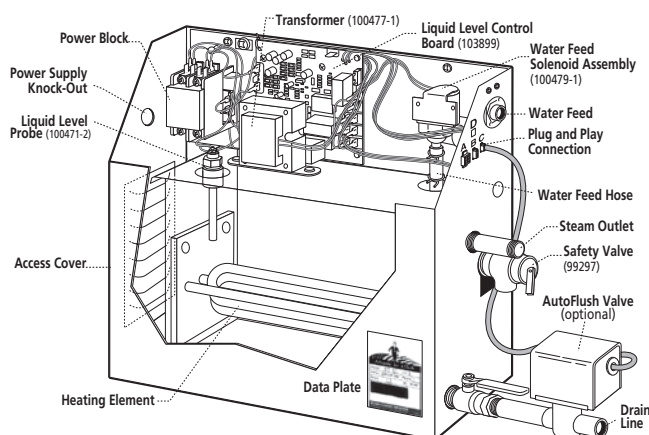
“T” Series: Produced from April 2003 to May 2008, SN 35500 to 899999

Models 65T - MS 400T

Shown with cover removed and with optional AutoFlush

Models MS SUPER T - MS SUPER 6T

Shown with cover removed and with optional AutoFlush



Prices are FOB factory, Long Island City, NY • Prices are subject to change without notice • Handling charges apply to equipment, accessories and parts orders. All images in this price book are for illustrative purposes only. Many images are altered for presentation purposes. Contact MrSteam for complete product information. Please see page 2 for important safety information regarding the use of this price book.

MODELS MS 90E-400E, MS SUPER 1E-SUPER 6E, MX4E-MX6E
 MODELS MS 65T-400T, MS SUPER 1T-SUPER 6T

PART No.	DESCRIPTION	PRICE	PART No.	DESCRIPTION	PRICE
ELEMENTS					
29041BMS	4.5KW 208V 1PH MS65	\$360.00	29151CMS	15KW 240V 1PH MS SUPER 3	\$470.00
29041CMS	4.5KW 240V 1PH MS65	360.00	29153BMS	15KW 208V 3PH MS SUPER 3	470.00
29043CMS	4.5KW 240V 3PH MS65	360.00	29153CMS	15KW 240V 3PH MS SUPER 3	470.00
29043BMS	4.5KW 208V 3PH MS65	360.00	99096MS	Gasket 4 ¹ / ₂ " diameter (for all MS and Super elements, compound not required)	17.00
29051BMS	5KW 208V 1PH MS90	360.00	29201BMS	20KW 208V 1PH MX4E	595.00
29051CMS	5KW 240V 1PH MS90	360.00	29201CMS	20KW 240V 1PH MX4E	595.00
29053CMS	5KW 240V 3PH MS90	360.00	29203BMS	20KW 208V 3PH MX4E	595.00
29053BMS	5KW 208V 3PH MS90	360.00	29203CMS	20KW 240V 3PH MX4E	595.00
29061BMS	6KW 208V 1PH MS150	360.00	29241BMS	24KW 208V 1PH MX5E	595.00
29061CMS	6KW 240V 1PH MS150	360.00	29241CMS	24KW 240V 1PH MX5E	595.00
29063CMS	6KW 240V 3PH MS150	360.00	29243BMS	24KW 208V 3PH MX5E	595.00
29063BMS	6KW 208V 3PH MS150	360.00	29243CMS	24KW 240V 3PH MX5E	595.00
29071BMS	7.5KW 208V 1PH MS225	360.00	29301BMS	30KW 208V 1PH MX6E	595.00
29071CMS	7.5KW 240V 1PH MS225	360.00	29301CMS	30KW 240V 1PH MX6E	595.00
29073BMS	7.5KW 208V 3PH MS225	360.00	29303BMS	30KW 208V 3PH MX6E	595.00
29073CMS	7.5KW 240V 3PH MS225	360.00	29303CMS	30KW 240V 3PH MX6E	595.00
29081BMS	8.5Kw 208V 1PH MS300	360.00	99096MX	Gasket 5 ³ / ₄ " for MX4E-6E only	20.00
29081CMS	8.5Kw 240V 1PH MS300	360.00			
29083BMS	8.5Kw 208V 3PH MS300	360.00			
29083CMS	8.5Kw 240V 3PH MS300	360.00			
29091BMS	9KW 208V 1PH MS400	360.00			
29091CMS	9KW 240V 1PH MS400	360.00			
29093BMS	9KW 208V 3PH MS400	360.00			
29093CMS	9KW 240V 3PH MS400	360.00			
29101BMS	10KW 208V 1PH MS SUPER 1	470.00			
29101CMS	10KW 240V 1PH MS SUPER 1	470.00			
29103BMS	10KW 208V 3PH MS SUPER 1	470.00			
29103CMS	10KW 240V 3PH MS SUPER 1	470.00			
29121BMS	12KW 208V 1PH MS SUPER 2	470.00			
29121CMS	12KW 240V 1PH MS SUPER 2	470.00			
29123BMS	12KW 208V 3PH MS SUPER 2	470.00			
29123CMS	12KW 240V 3PH MS SUPER 2	470.00			
29151BMS	15KW 208V 1PH MS SUPER 3	470.00			

Prices are FOB factory, Long Island City, NY • Prices are subject to change without notice • Handling charges apply to equipment, accessories and parts orders.

Please see page 2 for important safety information regarding the use of this price book .

MODELS MS 90E-400E, MS SUPER 1E-SUPER 6E, MS 65T-400T, MS SUPER 1T-SUPER 6T and MX4E-MX6E

PART No.	DESCRIPTION	PRICE
MISC. PARTS		
MSTS	Room Sensor with Integral 30' Cable (for E Series and T Series)	\$185.00
MSTS-60	Room Sensor with Integral 60' Cable (for E Series and T Series)	210.00
103904	12 ft. Cable for Connecting Two Generators	18.00
103917	30 ft. Cable for Connecting up to Five Generators	75.00
100471-2	Water Level Probe (MS and SUPER only)	50.00
100477-1	Transformer 208-240/24 VAC (MS "T" Models Only)	89.00
100477-3	Transformer 208-240/24 VAC (MS "E" & MX Models Only)	96.00
100479-1	Water Feed Solenoid (for MS90-400) - Includes Hose & Clamps	110.00
100479-2	Water Feed Solenoid (for SUPER1-3 & MX) - Includes Hose & Clamps	110.00
103534	MS Element Wire 15 1/2" (2 per)	11.00
103577	MS SUPER Element Wire 19" (2 per)	9.00
103578	MS SUPER Element Wire 22" (2 per)	10.00
103579	MS SUPER Terminal Block for Fuse Block (8 per)	5.00
99314	Power Fuse 60A 250V (MS SUPER 1- 6 & MX 1PH)	17.00
104055	Power Block	51.00
103660	Fuse Block	72.00
MS81500E	AutoFlush	475.00
103899	Liquid Level Control Board (MS "T" Models Only)	277.00
104288	Liquid Level Control Board (MS "E" Models Only)	345.00
99502	Ground Lug	9.00
103553	Silicone Sealant- Tube	24.00
104415	Power Block (MX4E-5E 208/240 Single Phase)	200.00
104416	Power Block (MX units 208/240 3 Phase)	160.00
104419	Power Block (MX6E 208/240 Single Phase)	270.00
104423	Water Level Probe (MX units)	100.00
CT81500	AutoFlush (for MX units)	495.00
CONTACTORS		
99012	24V 50A 3 Pole	\$198.00
100476-2	24V 40A 2 Pole	137.00
103453	24V 50A 4 Pole	344.00
VALVES		
99178FMS	Drain Valve - 1/2" (for MS & SUPER Units)	\$ 73.00
99297	15 PSIG Safety Valve	40.00
104198	Pressure Reducing Valve	185.00
103036	Drain Valve 1" (for MX Units)	71.00
AudioWizard® 2.0		
104181	Control - Black Only	\$176.00
104126-30	30 ft. Control Cable	48.00
AudioSteam3®		
104273	BUS Extender Kit 30 ft.	\$125.00
104273-30	AS3 Cable 30 ft., No Extenders	35.00
104273-60	AS3 Cable 60 ft., No Extenders	70.00
104317	Single BUS Extender Only (no cable)	130.00

Prices are FOB factory, Long Island City, NY • Prices are subject to change without notice • Handling charges apply to equipment, accessories and parts orders.

Please see page 2 for important safety information regarding the use of this price book .

PART No.	DESCRIPTION	PRICE
CONTROLS AND KITS		
iSteam®		
104264BK	iSteam3 Black, Control Only	\$1200.00
104264WH	iSteam3 White, Control Only	1200.00
104117-30	Control Cable, 30 ft.	105.00
104117-60	iSteam Cable, 60 ft.	205.00
104116	iSteam Rough In Box	24.00
104128	iSteam Retrofit Adapter Cable (requires 2 cables) for all iSteam models	59.00
AirTempo®		
104208BK	Electronic Assembly Black	\$760.00
104208WH	Electronic Assembly White	760.00
104209	Retention Ring (AirTempo Flush)	17.00
104210	Flush Mount Box (AirTempo Flush)	38.00
104211	Surface Mount Holder (AirTempo Surface)	27.00
104212	Air Tempo Receiver	136.00
104213PC	Round Bezel (AirTempo Flush)	54.00
104213__	Round Bezel (AirTempo Flush) - select finish below and add code	54.00
104214PC	Square Bezel (AirTempo Flush)	54.00
104214__	Square Bezel (AirTempo Flush) - select finish below and add code	54.00
104215PC	Surface Bezel (AirTempo Surface)	54.00
104215__	Surface Bezel (AirTempo Surface) - select finish below and add code	54.00
104220	AirTempo Cable (3 ft.)	54.00
104219	One Battery for AirTempo CR2450 (two required)	8.00
AirTempo Round Flush Mount Kit		
104232RD-PC	Polished Chrome	\$100.00
104232RD__	Select finish below and add code	105.00
AirTempo Square Flush Mount Kit		
104232SQ-PC	Polished Chrome	\$100.00
104232SQ-__	Select finish below and add code	105.00
iTempo® and iTempoPlus® Controls and Covers:		
104108i	iTempo Control-No Cover	\$470.00
104108iPLUS	iTempoPlus Control-No Cover	940.00
104109PC	ROUND iTempo & iTempoPlus Control Cover - Polished Chrome	88.00
104109__	ROUND iTempo & iTempoPlus Control Cover - select finish below & add code	146.00
104109BPC	ROUND iTempo & iTempoPlus Control Cover - finish Black Glass	146.00
104109WPC	ROUND iTempo & iTempoPlus Control Cover - finish White Glass	146.00
104106PC	SQUARE iTempo & iTempoPlus Control Cover - Polished Chrome	88.00
104106__	SQUARE iTempo & iTempoPlus Control Cover- select finish below & add code	146.00
104106BPC	SQUARE iTempo & iTempoPlus Control Cover- finish Black Glass	146.00
104106WPC	SQUARE iTempo & iTempoPlus Control Cover- finish White Glass	146.00
104107i	iTempo 4 Button Rubber Key pad	24.00
104107iPLUS	iTempoPlus 7 Button Rubber key pad	34.00
104117-30	Control Cable 30'	105.00
103990-60	Control Cable 60'	130.00
104096	Control Cable Extension Kit	150.00
MSTS	Room Sensor 30' (for E Series, T Series & iSteam3, not for use with iSteam & iSteam2.0)	185.00
MSTS-60	Room Sensor with Integral 60' Cable (for E Series and T Series)	210.00



iSteam3



AirTempo (surface mount)



AirTempo Round Bezel (flush mount)



AirTempo Square Bezel (flush mount)



104232SQ

104232RD



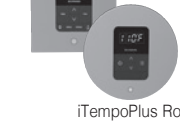
iTempo Square



iTempo Round



iTempoPlus Square



iTempoPlus Round

Designer Finish Codes for AirTempo, iTempo and iTempoPlus controls:

- PC= Polished Chrome
- PB= Polished Brass
- SB= Satin Brass
- PN= Polished Nickel
- BN= Brushed Nickel
- BB= Brushed Bronze
- MB= Matte Black
- ORB= Oil Rubbed Bronze
- RAW*= Custom Plating

*RAW not available for AirTempo

Prices are FOB factory, Long Island City, NY. Prices are subject to change without notice. Handling charges apply to equipment, accessories and parts orders. All images in this price book are for illustrative purposes only. Many images are altered for presentation purposes. Contact MrSteam for complete product information. Please see page 2 for important safety information regarding the use of this price book.

Models MS 90E-400E, MS Super 1E - Super 6E, , MX4E-MX6E,
Models MS 65T-400T, MS Super 1T - Super 6T

STEAMHEADS

PART No.	DESCRIPTION	PRICE
----------	-------------	-------

LINEAR STEAMHEADS

104216	for MS90 to MS Super 3. Super 4E-6E and MX4E-MX6E requires (2) steamheads	\$425.00
104217	for CU360 - CU1400s, CU2000-CU4500 requires (2) steamheads MX4E - MX6E requires (1) steamhead	650.00

STEAMHEADS for AirTempo®

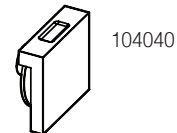
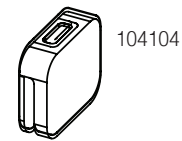
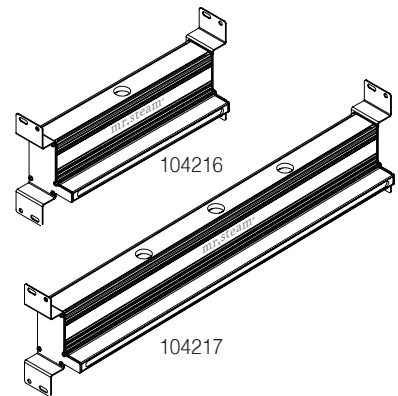
104104BK-PC	Black - Polished Chrome	\$205.00
104104BK-__	Black - select finish below and add code	305.00
104104WH-PC	White - Polished Chrome	\$205.00
104104WH-__	White - select finish below and add code	305.00

ROUND STEAMHEADS for iTempo® and iTempoPlus®

103937PC	Steamhead Round - Polished Chrome	\$185.00
103937__	Steamhead Round - select finish below & add code	285.00
103938	Acrylic Shield (for use with 103937 Steamheads)	65.00

SQUARE STEAMHEADS for iTempo and iTempoPlus

104040PC	Steamhead Square - Polished Chrome	\$185.00
104040__	Steamhead Square - select finish below & add code	285.00
103938SQ	Acrylic Shield (for use with 104040 Steamheads)	65.00



For generators with SN below 741000, call customer/ technical service for information

PC= Polished Chrome PB= Polished Brass SB= Satin Brass PN= Polished Nickel BN= Brushed Nickel
BB= Brushed Bronze RAW= Custom Plating ORB= Oil Rubbed Bronze MB= Matte Black

Note: For AirTempo: BK= Black Facia WH= White Facia
Trim Finish: PC= Polished Chrome PB= Polished Brass SB= Satin Brass PN= Polished Nickel
 BN= Brushed Nickel BB= Brushed Bronze MB= Matte Black ORB= Oil Rubbed Bronze

Prices are FOB factory, Long Island City, NY • Prices are subject to change without notice • Handling charges apply to equipment, accessories and parts orders.
All images in this price book are for illustrative purposes only. Many images are altered for presentation purposes.
Contact MrSteam for complete product information. Please see page 2 for important safety information regarding the use of this price book.

PART No.	DESCRIPTION	PRICE
AromaSteam Residential Oil Injection System		
103861	Pump Head	\$320.00
E01-1032	Hose (per ft.)	11.00
103987	AromaSteam Filter	138.00
103983	AromaSteam Syringe (independent of pump style)	19.00
104322	AromaSteam Priming Tube 6" (independent of pump style)	8.00
104318	AromaFlo, 1L Oil Caddy (independent of pump style)	55.00
104319	AromaFlo, 1G Oil Caddy (independent of pump style)	75.00
103918	AromaSteam Atomizing Nozzle	243.00
103936	MS Aroma Demand Button	88.00
104023	AromaSteam Compression Nut	19.00
104159	Aroma Valve Kit	146.00



AromaSteam Oil Injection Pump



AromaSteam Caddy



AromaSteam Oil Injection Pump "E" Style

AromaSteam "E" Style Residential Oil Injection System		
104239	Pump Head, "E" Style	\$350.00
104240	Check Valve, "E" Style	157.00
104241	Foot Valve, "E" Style	220.00
104250	Hose Connectors, "E" Style	37.00
104255	Hose- "E" Aroma Pump (per foot)	5.00
104275	Aroma Pump O-Ring Kit	21.00
104307	Request Cable	295.00

AromaSteam Essential Oils for AromaSteam System only

MS-OIL1	AromaSteam Oil, 1L. (33 oz.) Eucalyptus	\$130.00
MS-OIL2	AromaSteam Oil, 1L. (33 oz.) Lavender	130.00
MS-OIL3	AromaSteam Oil, 1L. (33 oz.) Evergreen	130.00
MS-OIL4	AromaSteam Oil, 1L. (33 oz.) Energizing Mint	130.00
MS-OIL5	AromaSteam Oil, 1L. (33 oz.) Breathe	130.00



Aroma Essential Oil 1 Liter Bottle

Prices are FOB factory, Long Island City, NY • Prices are subject to change without notice • Handling charges apply to equipment, accessories and parts orders. See product packaging and labeling for additional important information. All images in this price book are for illustrative purposes only. Many images are altered for presentation purposes. Contact MrSteam for complete product information. Please see page 2 for important safety information regarding the use of this price book.

Chroma72®

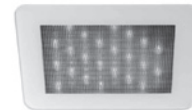
103960	28 LED Replacement Cluster for MS CHROMA	\$216.00
104119	72 LED Replacement Cluster for MS CHROMA-72	412.00
104024	Cable Assembly for MS Chroma eTempo	96.00



ChromaSteam

ChromaSteam3

104277BK	Chroma3 LED, Black Lens	\$495.00
104277WH	Chroma3 LED, White Lens	495.00
104268-30	Cable, MSChroma3 30 ft.	57.00
104268-60	Cable, MSChroma3 60 ft.	84.00
104313	Chroma3 Duo Cable	220.00



ChromaSteam3

WALL SEAT- Original Design

104052PC	Hardwall Bracket Kit- Polished Chrome	\$75.00
104052BN	Hardwall Bracket Kit- Brushed Nickel	80.00
104052ORB	Hardwall Bracket Kit- Oil Rubbed Bronze	80.00



Original Wall Seat

WALL SEAT- New Design

104282PC	Wall Seat Bracket Kit- Polished Chrome	\$185.00
104282BN	Wall Seat Bracket Kit- Brushed Nickel	195.00
104282PN	Wall Seat Bracket Kit-Polished Nickel	195.00
104282SB	Wall Seat Bracket Kit- Satin Brass	195.00



New Wall Seat

MS LIGHT

104073	Bulb Replacement 13 Watt, Compact Fluorescent	\$64.00
--------	---	---------



MS Light

MS RECESSED LIGHT

104193	Bulb Replacement 50 Watt, PAR 30 Wide Flood Bulb	\$33.00
--------	--	---------



Recessed Light

Prices are FOB factory, Long Island City, NY • Prices are subject to change without notice • Handling charges apply to equipment, accessories and parts orders.

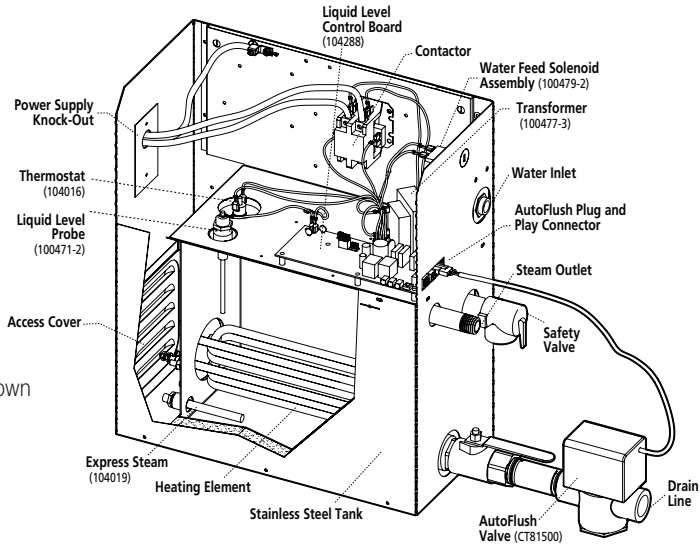
All images in this price book are for illustrative purposes only. Many images are altered for presentation purposes.

Contact MrSteam for complete product information. Please see page 2 for important safety information regarding the use of this price book.

Models CT 6E, 9E, 12E, 15E

Shown with cover removed and with optional AutoFlush®

Model CT 6E, 9E shown



PART No.	DESCRIPTION	PRICE
MISC. PARTS		
MSTS-60	Room Sensor with Integral 60' Cable (for iTempoPlus and iSteam3)	\$210.00
100471-2	Water Level Probe	50.00
100477-3	Transformer 208-240/24 VAC	96.00
100479-2	Water Feed Solenoid Includes Hose & Clamps	110.00
99314	Power Fuse 60A 250V (CT12E & 15E 1 Ph)	17.00
104055	Power Block	51.00
103660	Fuse Block	72.00
104288	Liquid Level Control Board	345.00
99502	Ground Lug	9.00
EXPRESS STEAM®		
104015	Express Steam Thermostat	\$64.00
104019	Heating Element for Express Steam	215.00
STEAMHEADS		
104040PC	Steamhead with iTempoPlus Control	\$185.00
1040104BK-PC	Steamhead with iSteam3 Control	205.00

PART No.	DESCRIPTION	PRICE
CONTACTORS		
99012	24V 50A 3 Pole	\$198.00
100476-2	24V 40A 2 Pole	137.00
103453	24V 50A 4 Pole	344.00

ELEMENTS		
29061BMS	6KW 208V 1PH CT6E	\$360.00
29061CMS	6KW 240V 1PH CT6E	360.00
29091BMS	9KW 208V 1PH CT9E	360.00
29091CMS	9KW 240V 1PH CT9E	360.00
29121BMS	12KW 208V 1PH CT12E	470.00
29121CMS	12KW 240V 1PH CT12E	470.00
29151BMS	15KW 208V 1PH CT15E	470.00
29151CMS	15KW 240V 1PH CT15E	470.00

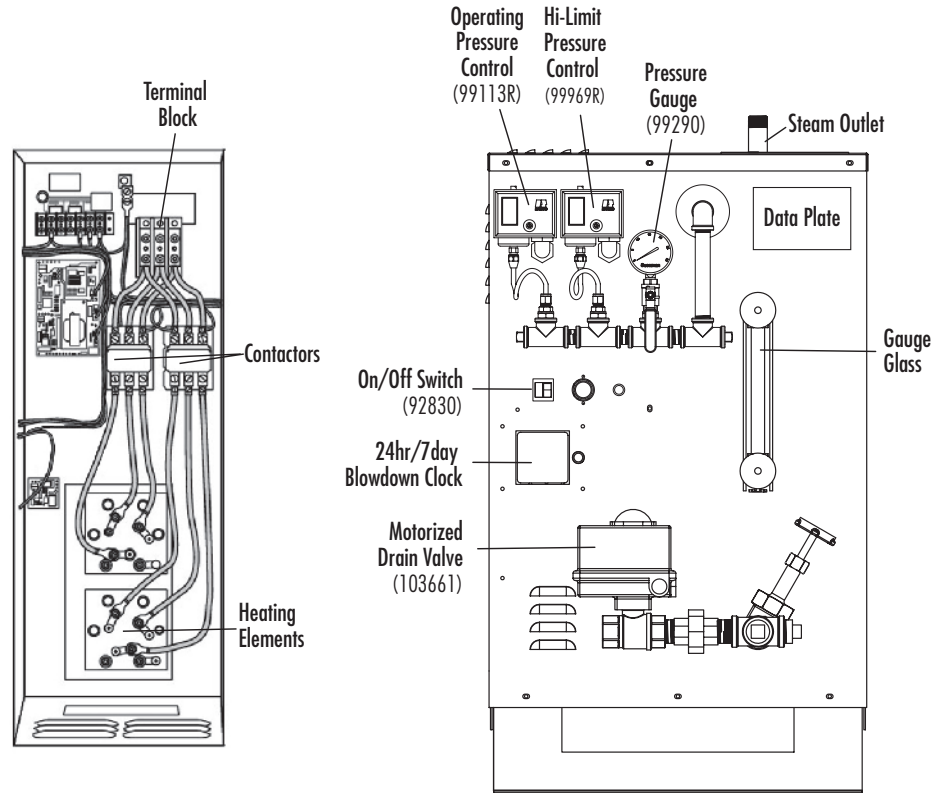
VALVES		
99297	15 PSIG Safety Valve	\$40.00
104198	Pressure Reducing Valve	185.00
103036	Drain Valve 1"	71.00

OTHER ACCESSORIES		
CT81500	AutoFlush® Assembly 1" NPT	\$495.00
CT-STEAMSTOP	Start/Stop Button	250.00
104016	High Limit Thermostat	91.00
103990-60	60 Foot Control Cable (iTempoPlus only)	130.00
103978-60	CT SteamStop 60 Foot Cable	157.00
104117-60	60 Foot Cable (iSteam only)	205.00

Prices are FOB factory, Long Island City, NY • Prices are subject to change without notice • Handling charges apply to equipment, accessories and parts orders. All images in this price book are for illustrative purposes only. Many images are altered for presentation purposes. Contact MrSteam for complete product information. Please see page 2 for important safety information regarding the use of this price book.

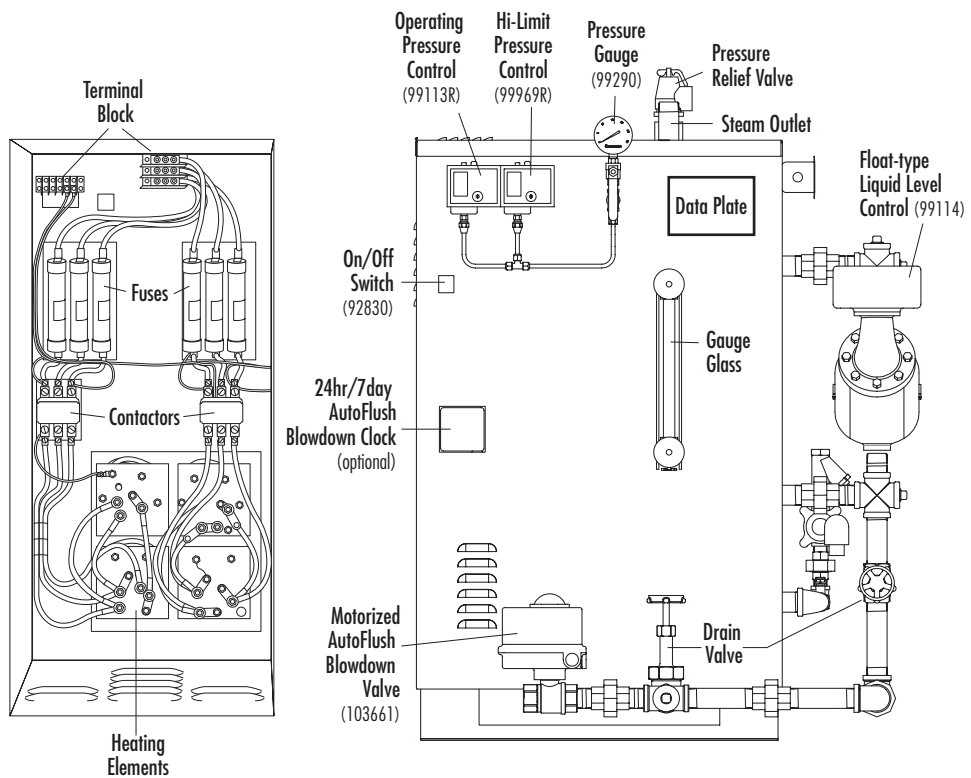
CU 360-CU 1400

Typical Component Arrangement



CU 2000-4500

with Digital 1, Clock and Blowdown



Prices are FOB factory, Long Island City, NY • Prices are subject to change without notice • Handling charges apply to equipment, accessories and parts orders.
 All images in this price book are for illustrative purposes only. Many images are altered for presentation purposes.
 Contact MrSteam for complete product information. Please see page 2 for important safety information regarding the use of this price book.

Models CU 360 - CU 4500

PART No.	DESCRIPTION	PRICE
BLOWDOWN		
99353	Time Delay Relay Board	\$163.00
103805	Mechanical Mil 72* Blowdown Timer - Analog	254.00
103662	Digital Blowdown Timer	248.00
103661	1" Valve to any Blowdown Valve	1529.00
104251	Snubber (used with Digital Blowdown only)	28.00

*Both MIL 72 and DIGI 20 BLOWDOWN TIMERS are available for surface mounting. Add suffix "K" to Part Number

CONTACTORS

99003	50A 3 Pole 120V 50/60	\$278.00
99006B	50A 4 Pole 120V 50/60	422.00
99075	60A 3 Pole 120V 50/60	376.00
102206-1	75A 3 Pole 120V 50/60	538.00

CONTROLS

COMPONENTS FOR DIGITAL 1 CONTROL

104066	D1 Plus Control Only 120V	\$278.00
104066C	D1 Plus Control Only 240V	266.00
104067-1	Sensor Only for D1 Plus with Guard	225.00
100886	Bulb Guard D1 Sensor	25.00
CU-104066	D1 Plus Field Kit 120V with Sensor + Guard, Cable	685.00
CU-104066C	D1 Plus Field Kit 240V with Sensor + Guard, Cable	685.00
CU-99216B	30 Minute Mechanical Timer	100.00
CU-99216DIG	30 Minute Digital Timer	595.00

COMPONENTS FOR HIGH TEMPERATURE CONTROL

104398	High Temperature Control, CU-HTC (Electronic Assembly)	\$270.00
104399	Temperature Sensor, CU-HTC	50.00
104417	Clear Temper Proof Cover, CU-HTC	85.00

PART No.	DESCRIPTION	PRICE
ELEMENTS		
29091B	9 KW 208V 1 PH	\$490.00
29091C	9 KW 240V 1 PH	490.00
29093B	9 KW 208V 3 PH	440.00
29093C	9 KW 240V 3 PH	440.00
39121B	12 KW 208V 1PH	490.00
39121C	12 KW 240V 1PH	490.00
39123B	12 KW 208V 3PH	490.00
39123C	12 KW 240V 3PH	490.00
39123F	12 KW 480V 3PH	490.00
39181B	18 KW 208V 1PH	600.00
39181C	18 KW 240V 1PH	600.00
39183B	18 KW 208V 3PH	510.00
39183C	18 KW 240V 3PH	510.00
39183F	18 KW 480V 3PH	510.00
99096B	Gasket 4 1/2" Dia. (does not require compound)	15.00
103540	Gasket Kit (includes gasket, hardware & bolts) (does not require compound)	45.00
99547Z	Bolt for Element (1 Pc)	3.00



DIGITAL-1 CONTROL

Prices are FOB factory, Long Island City, NY • Prices are subject to change without notice • Handling charges apply to equipment, accessories and parts orders.
 All images in this price book are for illustrative purposes only. Many images are altered for presentation purposes.
 Contact MrSteam for complete product information. Please see page 2 for important safety information regarding the use of this price book.

Models CU 360 - CU 4500

PART No.	DESCRIPTION	PRICE
ELECTRICAL		
90229	Probe Spark Plug-(1) for each rod w/o Probe Rod	67.00
99807B	1/4" x 9" Probe Rod Stainless** CU360-CU1400-low water	26.00
92830	ON/OFF Switch	32.00
99207	Terminal Block 150 AMP 3 Pole	84.00
99524-6T	18" #6 Wire with Terminal - for Heating Element	24.00
104304	Operating Level Probe** CU360-CU1400	105.00
103127	Dual Probe LL PC Board 120V CU360-CU1400	414.00
103127-1	Dual Probe LL PC Board 240V CU360-CU1400	451.00
100378	Probe Isolator	94.00
90229-1	High Water Cutoff (also used for AUX LWCO on older CUs) No Rod Probe	112.00
90241MRT	AUX LWCO Board (All CU Models)	578.00
92829	AUX LWCO Pilot Light	19.00
99348	AUX LWCO Reset Button	46.00
90241D	High Water Level Control	187.00
99315	Fuse Block 208/240V	77.00
99314	Power Fuses 208/240V 60A 250V	17.00
99317	Fuse Block 480V	110.00
99316	Power Fuses 480V 60A 600V	49.00
99580	Terminal Block 4 POLE	23.00
99593	Terminal Block	276.00
103538C	Level Control Board beginning with SN # AXD-4953 (CU360-1400 only)	540.00
**Also CU1000 -1400 w/SN beginning with "AX"		
GAUGE GLASS		
99074-1	Gauge Glass with 2 Gaskets (CU360 - 750) 7 ³ / ₄ " long	\$37.00
	Gauge Glass with 2 Gaskets (CU1000 - 1400) 7 ³ / ₄ " long (SN beginning with "AX")	37.00
99080-1	Gauge Glass with 2 Gaskets (CU1000 - CU1400) 9 ³ / ₄ " long (SN beginning with "N")	47.00
	Gauge Glass with 2 Gaskets (CU2000 - CU3000) 9 ³ / ₄ " long	47.00
99081-1	Gauge Glass with 2 Gaskets (CU4500) - 11 ³ / ₄ "	52.00
99174CV	Gauge Glass O-Ring Gasket- VitonWasher	10.00
99173C	Gauge Glass Valve Set less tubes and rods	119.00
MECHANICAL FEEDER		
99114	Mechanical Low Water CutOff & Feeder M/M No.150 (CU2000 - CU4500)	\$902.00
103914	Micro Switch ASSY	496.00
SA150-14	Head Gasket	22.00
SA150-11	Float Rod & Ball Assembly	461.00

Prices are FOB factory, Long Island City, NY • Prices are subject to change without notice • Handling charges apply to equipment, accessories and parts orders.
Please see page 2 for important safety information regarding the use of this price book.

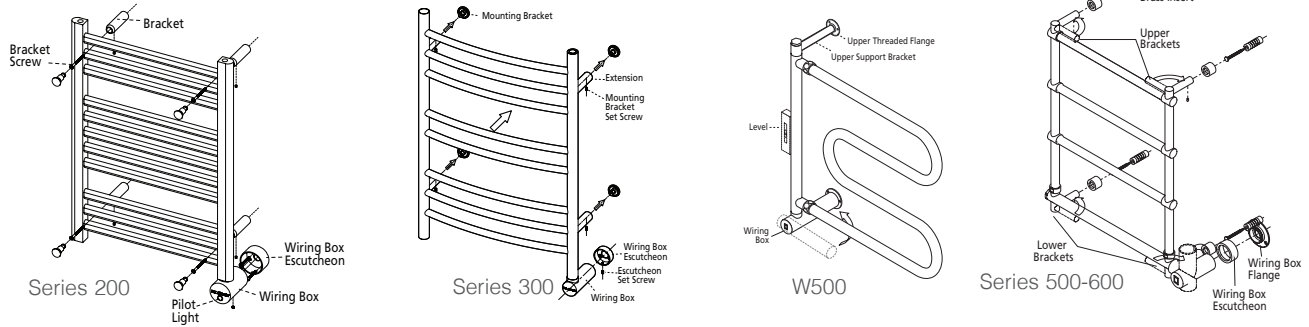
Models CU 360 - CU 4500

PART No.	DESCRIPTION	PRICE	PART No.	DESCRIPTION	PRICE
WATER FEED AND STEAM SOLENOIDS			AROMAFLO® COMMERCIAL OIL INJECTION SYSTEM		
99031	1/2" 120V Water Feed (CU2000 - CU4500)	\$300.00	103861	Pump Head	\$320.00
99032	1/2" 240V Water Feed (CU2000 - CU4500)	302.00	E01-1032	Hose (per ft.)	11.00
99042	1/4" 120V Water Feed (CU360 - CU1400)	264.00	103987	AromaSteam Filter	138.00
99042C	1/4" 240V Water Feed (CU360 - CU1400)	274.00	103983	AromaSteam Syringe	19.00
99284A	Low Pressure Steam 120V 1"	450.00	103918	AromaSteam Atomizing Nozzle	243.00
99285A	Low Pressure Steam 120V 1/2"	350.00	104239	Pump Head, "E" Style	350.00
99284B	Low Pressure Steam 240V 1"	495.00	104240	Check Valve, "E" Style	157.00
99285B	Low Pressure Steam 240V 1/2"	360.00	104241	Foot Valve, "E" Style	220.00
99286A	Low Pressure Steam 120V 3/4"	378.00	104250	Hose Connectors, "E" Style	37.00
104223	99286A Steam Solenoid Rebuild Kit	223.00	104255	Hose- "E" Aroma Pump (per ft.)	5.00
PRESSURE CONTROLS			104275	Aroma Pump O-Ring Kit	21.00
99113R	Operating Pressure Control 0-15 PSIG	\$278.00	104322	AromaSteam Priming Tube 6" (independent of pump style)	8.00
99290	Pressure Gauge 0-30 PS	91.00	104319	AromaFlo, 1G Oil Caddy (independent of pump style)	75.00
99969R	Hi-Limit Control w/Manual Reset 15 PSIG	463.00	104023	AromaSteam Compression Nut	19.00
FB023	PigTail 1/4" NPT 180°	26.00	104159	Aroma Valve Kit	146.00
VALVES			CU-EUCALYPTUS	Oil, Eucalyptus 1.0 Gal	175.00
99123	Strainer 1/2 inch	\$63.00	CU-LAVENDER	Oil, Lavender 1.0 Gal.	175.00
99167	Spring Check Valve 1/2"	100.00			
99178	Valve 1/2 Steam Ball	77.00			
99182	Valve Gate Valve 3/4" Steam	170.00			
99184	Valve Gate Valve 1" Steam	236.00			
99297	15 PSIG Safety Valve 3/4" - CU360 - CU1400	40.00			
99132	15 PSIG Safety Valve 1/2" - CU2000	398.00			
99297V	15 PSIG Safety Valve 3/4" - CU2500 - CU3000	491.00			
99141	15 PSIG Safety Valve 1" - CU4500	957.00			
MISC. PARTS					
CU103984 PC	Steam Head- 3/4" Polished Chrome	\$195.00			
103985	Acrylic Shield (for use with 103984 Steamhead)	59.00			
103412	Acrylic Shield (for use with 99212-34 steamhead)	60.00			
104072	Steam Vent	275.00			
104221	Plumbing Kit: CU 2000 - CU 3000	750.00			

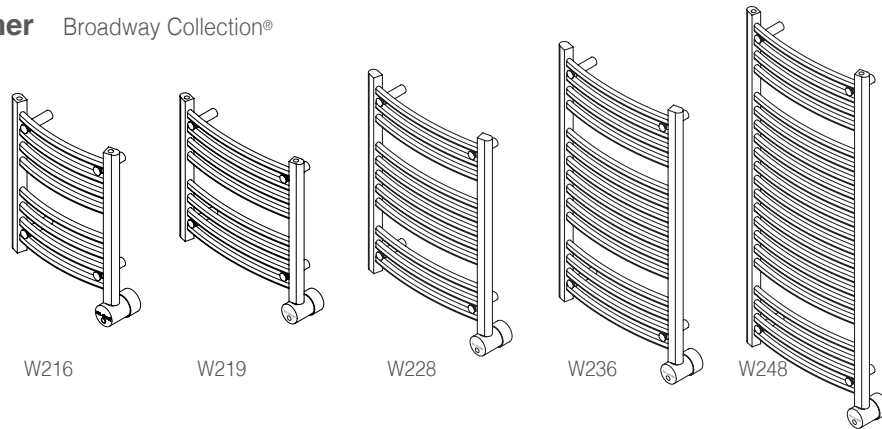
Prices are FOB factory, Long Island City, NY • Prices are subject to change without notice • Handling charges apply to equipment, accessories and parts orders.

Please see page 2 for important safety information regarding the use of this price book .

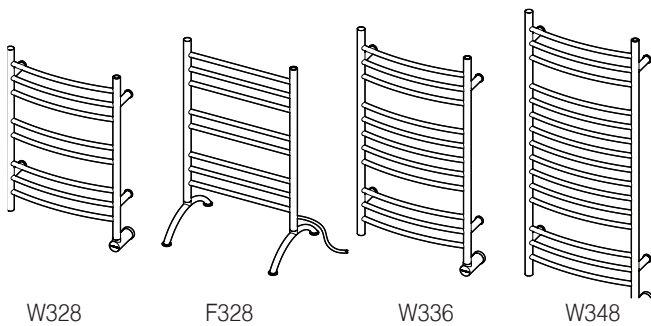
Mounting Diagrams



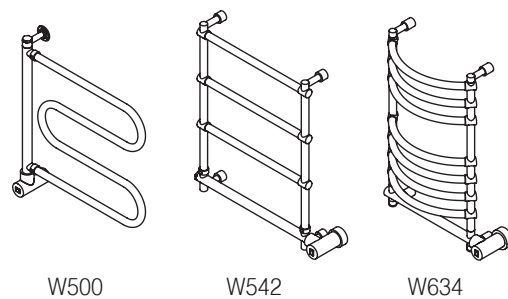
Series 200 Towel Warmer Broadway Collection®



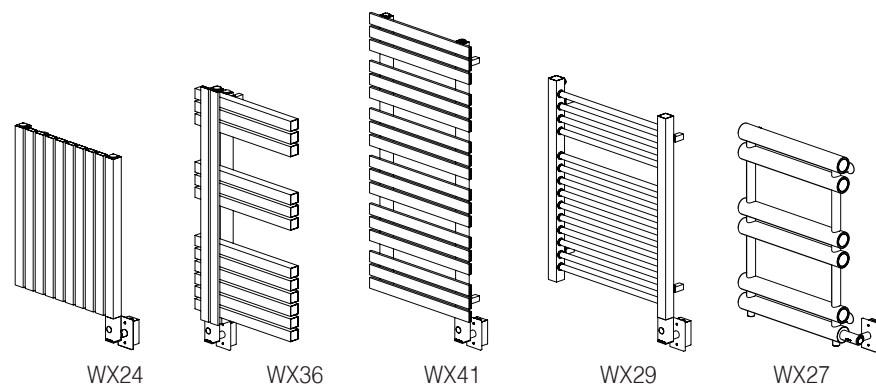
Series 300 Towel Warmer Metro Collection®



Series 500-600 Towel Warmer Fifth Avenue Collection®



Lexington Collection



Prices are FOB factory, Long Island City, NY • Prices are subject to change without notice • Handling charges apply to equipment, accessories and parts orders.
 All images in this price book are for illustrative purposes only. Many images are altered for presentation purposes.
 Contact MrSteam for complete product information. Please see page 2 for important safety information regarding the use of this price book.

PART No.	DESCRIPTION	PRICE
TIMERS, LIGHTS AND INDICATORS		
103949	On/Off Switch - Series 500 (through SN 40560) (Fifth Avenue Collection)	\$21.00
104028	Pilot Light for Series 200 (SN 40660 and up), Series 300 and Lexington Collection	20.00
104050	Pilot Light for Series 500 (Fifth Avenue Collection)	20.00
103588DIG	Digital Timer: EJ600-U	125.00
HARDWARE FOR SERIES 200 (Broadway Collection)		
104029-PC	Mounting Bracket Set - Polished Chrome	\$207.00
104029-WH	Mounting Bracket Set - White	215.00
104029-ORB	Mounting Bracket Set - Oil Rubbed Bronze	215.00
104031-PC	Escutcheon for Wiring Box - Polished Chrome	32.00
104031-WH	Escutcheon for Wiring Box - White	33.00
104031-ORB	Escutcheon for Wiring Box - Oil Rubbed Bronze	33.00
104093PC	Wall Plate- Polished Chrome	37.00
104093WH	Wall Plate- White	42.00
104093ORB	Wall Plate- Oil Rubbed Bronze	42.00
HARDWARE FOR SERIES 300 (Metro Collection)		
104090-SSB	Mounting Bracket Set - Brushed Stainless Steel	\$154.00
104090-SSP	Mounting Bracket Set - Polished Stainless Steel	154.00
104091-SSB	Escutcheon for Wiring Box - Brushed Stainless Steel	25.00
104091-SSP	Escutcheon for Wiring Box - Polished Stainless Steel	25.00
104093-SSB	Wall Plate - Brushed Stainless Steel	37.00
104093-SSP	Wall Plate - Polished Stainless Steel	37.00
HEATING ELEMENTS		
103963	W510 TW Heating Element 70 Watt	\$272.00
103964	W500 TW Heating Element 100 Watt	272.00
103965	W842, W542 TW Heating Element 150 Watt	272.00
103966	W552, W554, W562, W572, W634 TW Heating Element 200 Watt	272.00
103967	W556, W856 TW Heating Element 200 Watt	272.00
104030	W228, W236, W248 TW Heating Element 400 Watt	190.00
104136	W216, W219 TW Heating Element 200 Watt	163.00
LEXINGTON COLLECTION		
104278	WX 300 Watt Heating Element - for models WX24, WX27, WX29	\$193.00
104279	WX 400 Watt Heating Element - for models WX36, WX41	204.00
104280SSB	WX TW Square Mounting Set, SSB - for models WX24, WX29, WX36, WX41	105.00
104280SSP	WX TW Square Mounting Set, SSP - for models WX24, WX29, WX36, WX41	136.00
104281SSB	WX TW Round Mounting Set, SSB - for model WX27	136.00
104281SSP	WX TW Round Mounting Set, SSP - for model WX27	157.00

PC= Polished Chrome
ORB= Oil Rubbed Bronze

PN - Polished Nickel
SSP=Stainless Steel Polished

BN= Brushed Nickel
SSB=Stainless Steel Brushed

Prices are FOB factory, Long Island City, NY • Prices are subject to change without notice • Handling charges apply to equipment, accessories and parts orders.

Please see page 2 for important safety information regarding the use of this price book .